



Replacement Forks & Bars

NEW

REPLACEMENT FORKS

★ **High Quality**

Forks are Forged from one piece of steel, then fully heat treated for strength and increased resistance to bending.

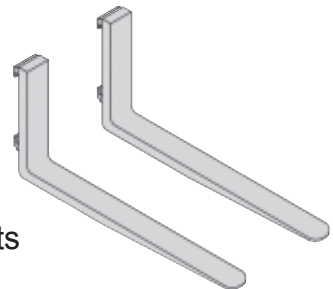
★ **Low Price**

Call for a quote – You will like our prices

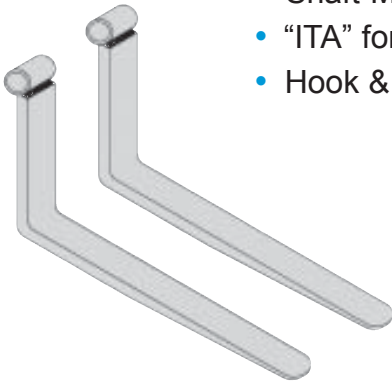
★ **All Types Available**

Any style or size of fork you need

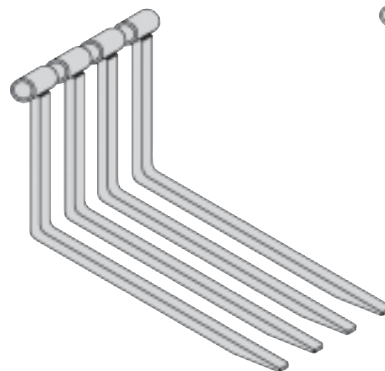
- Shaft-Mounted for telehandlers and rough terrain forklifts
- “ITA” for warehouse forklifts
- Hook & other unique styles



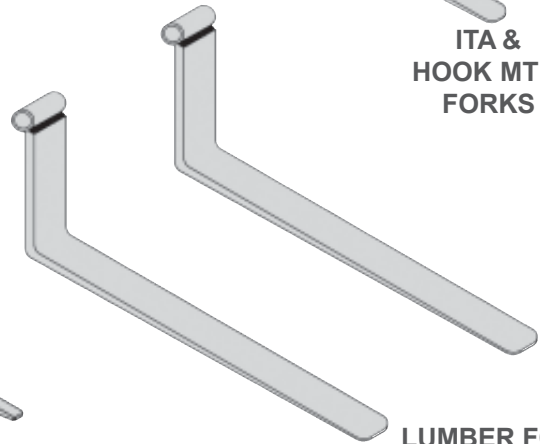
ITA & HOOK MTD. FORKS



SHAFT MOUNTED PALLET FORKS



BLOCK FORKS
(Cubing Forks)



LUMBER FORKS
(Fully Tapered & Polished)

REPLACEMENT BARS



Model No.	Finished Shaft Size (dia.)	Carriage Width (out to out)	Shaft Overall Length (out to out)	Weight
FP17548	1.75"	48"	51.5"	37 lbs.
FP17560	1.75"	60"	63.5"	45 lbs.
FP17572	1.75"	72"	75.5"	53 lbs.
FP20048	2.0"	48"	51.5"	48 lbs.
FP20060	2.0"	60"	63.5"	59 lbs.
FP20072	2.0"	72"	75.5"	69 lbs.
FP22548	2.25"	48"	51.5"	60 lbs.
FP22560	2.25"	60"	63.5"	74 lbs.
FP22572	2.25"	72"	75.5"	87 lbs.

800-541-1797

or

817-485-6073